



PANORAMIC CS SERIES

Unrivalled comfort and safety.



Building with confidence.

Panoramic Cs Series future-oriented.

Merlo engineers have always had a clear objective: designing safe and comfortable machines. Comfort and safety are indissoluble features, because they both aim at improving working conditions.

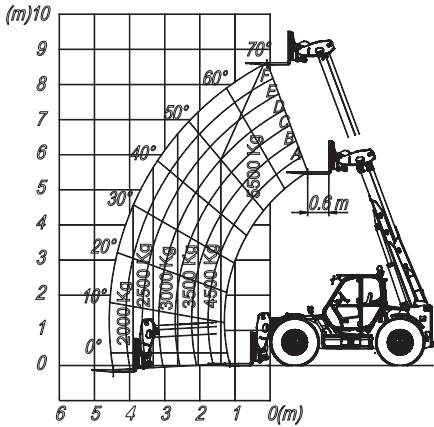
The philosophy that has driven research in the last few years has been given fresh impetus by the new CS models equipped with active cab suspensions: Panoramic P 55.9 CS, Panoramic P 60.9 CS and Panoramic P 75.9 CS, three revolutionary telehandlers that introduce new solutions for design and engineering, and anticipate what telehandlers will be like in the next few years.

Many innovative solutions have been introduced by these new models, which are designed to be used in the most challenging contexts, such as waste recycling, cereal handling and earth moving.

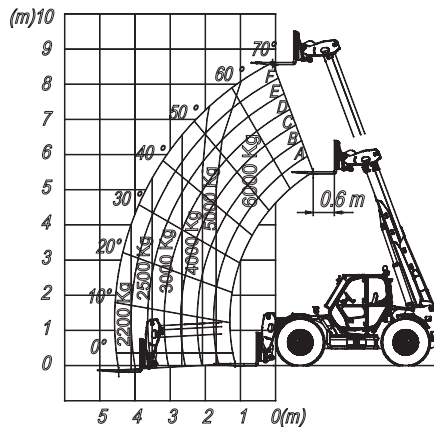
One of the highlights is the first ever hydro-pneumatic cab suspension (CS), which ensures one-of-a-kind comfort in this machine class. The innovative technical features introduced by this new range of machines improve the already proverbial visibility of previous Panoramic models, and ensure the high performance typical of higher class vehicles, while maintaining the compact size and the manoeuvrability of small machines.



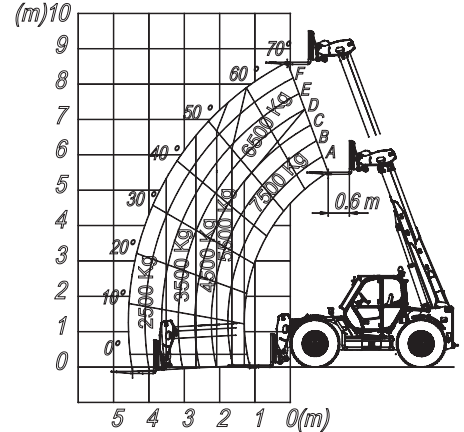
PANORAMIC P 55.9 CS



PANORAMIC P 60.9 CS



PANORAMIC P 75.9 CS

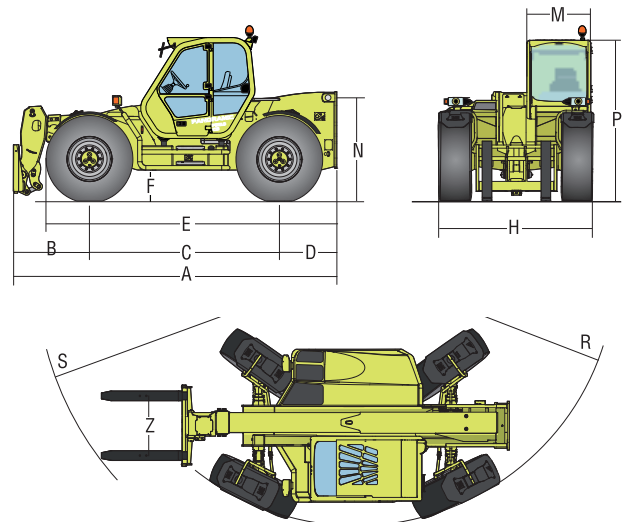


PANORAMIC	P 55.9 CS	P 60.9 CS	P 75.9 CS
Weight with forks (kg)	10320	10940	11400
Load capacity (kg)	5500	6000	7500
Lift height (m)	8,6	8,6	8,6
Forward reach (m)	4,6	4,6	4,6
Lift height at maximum load capacity (m)	8,6	8,6	7,3
Forward reach at maximum load capacity (m)	1,4	1,7	1,3
Load capacity at maximum height (kg)	5500	6000	6500
Load capacity at maximum forward reach (kg)	2000	2500	2500
Deutz turbo diesel engine with intercooler - Tier 3	4 cylinder engine		
Engine power at 2,400 rpm (97/68/CE) (kW/HP)	103/140		
Speed in the 1st gear (kph)	15	15	15
Speed in the 2nd gear (kph)	40	40	40
Fuel tank capacity (l)	150	150	150
Load-Sensing hydraulic system	150 l/min - 225 bar		
Hydraulic oil tank capacity (l)	110	110	110
Electrical equipment with a manual battery cut-off switch (V)	12	12	12
Battery (Ah)	100	100	100
Cab compliant with ROPS/FOPS standards	●	●	●
Hydro-pneumatic cab suspension (CS)	●	●	●
Controls on a proportional, electro-hydraulic joystick	●	●	●
Two floating forks (1,200 mm long)	●	●	●
Tac-Lock attachment coupling	●	●	●
Auxiliary hydraulic/electrical service on the boom	●	●	●
Hydrostatic transmission	●	●	●
Finger-Touch drive direction selector	●	●	●
Inching control	●	●	●
Permanent four wheel drive	●	●	●
Three steering modes for the four wheels	●	●	●
Rear differential locking	●	●	●
Tyres	17.5-25 22PR		
Automatic parking brake	●	●	●
Type approval as a farm tractor	○	○	○
Manual air conditioning system	○	○	○

● Standard. ○ Optional.

PANORAMIC	P 55.9 CS	P 60.9 CS	P 75.9 CS
A (mm)	5100	5100	5100
B (mm)	1190	1190	1190
C (mm)	3000	3000	3000
D (mm)	910	910	910
E (mm)	4610	4610	4610
F (mm)	450	450	450
H (mm)	2400	2400	2400
M (mm)	995 ⁽¹⁾	995 ⁽¹⁾	995 ⁽¹⁾
P (mm)	2540	2540	2540
R (mm)	3820	3820	3820
S (mm)	4850	4850	4850
Z (mm)	850	850	850
N (mm)	1680	1680	1820

(1) Useful inner width.



Hydro-pneumatic cab suspensions (CS)

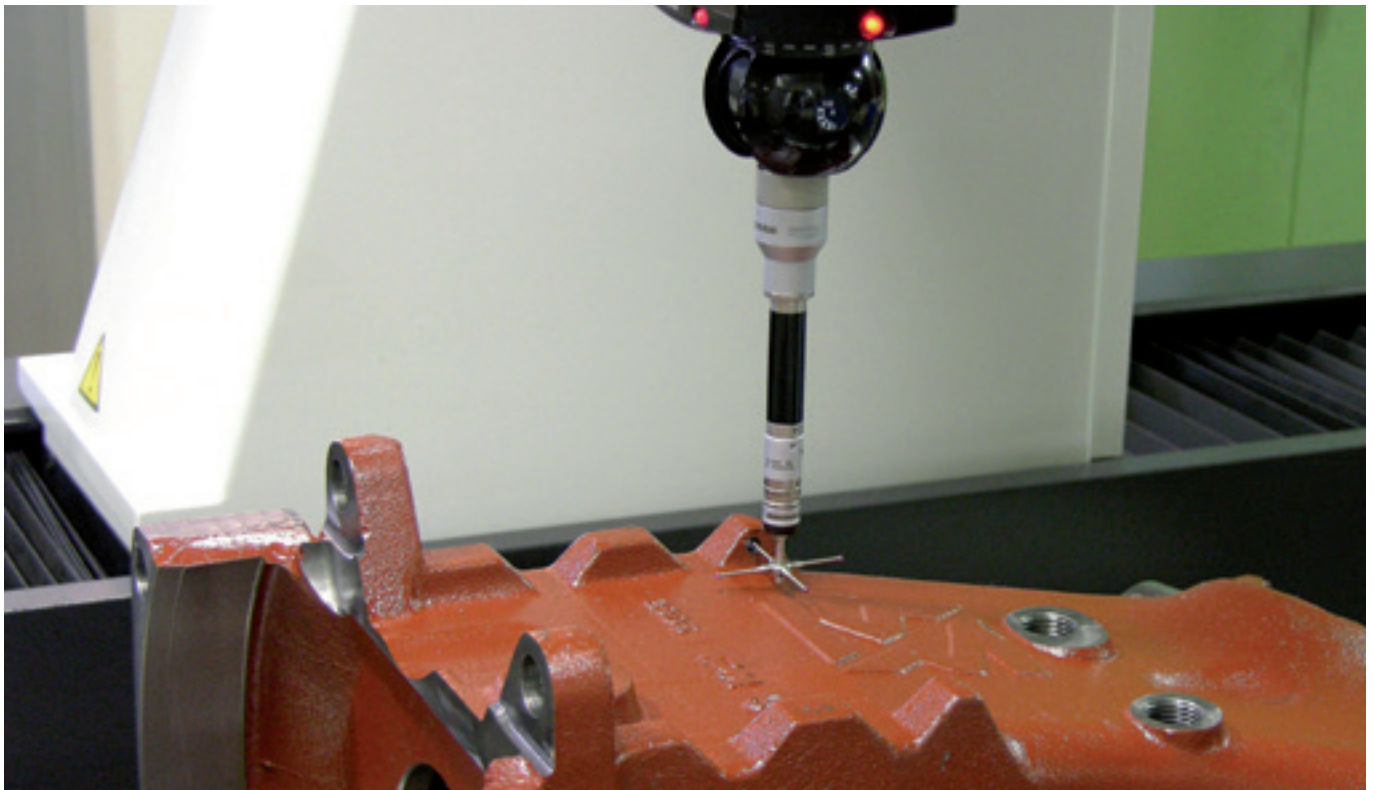
The telehandlers of the CS series come standard with innovative hydro-pneumatic cab suspensions.

This system ensures effective damping irrespective of the load, the terrain and the driving speed, without the driver taking care of the functional control.

Merlo suspensions ensure driving comfort, improve vehicle dynamics (hence greater stability), and enhance performance, thus offering undoubted advantages in terms of work safety, speed and productivity.



Merlo Group the supremacy of ideas.



The Merlo brand is synonymous for innovation and technology in the world of telescopic handlers.

The history of the Merlo Group is punctuated with ideas, drive and passion. The whole Group revolves around these values, providing the base for the success of new products, as well as of the numerous international awards the company has been awarded.

Developing complex projects, from ideas to results and from design to sales, implies proposing innovative solutions which become the forerunners of new trends and applications in the most competitive markets.

This is a winning attitude which is seen in the drive for an integrated manufacturing process with the most modern construction methods, automatic processes, integrated electronics, robotics handling and much, much more.

Our will to maintain a closer and closer bond with our customers is reflected in training and refresher courses, in after-sales service, and in trust-based relationships with our dealers worldwide.

The results are compact and manoeuvrable machines which ensure unrivalled levels of comfort, efficiency and safety.

This is the strength of the Merlo Group.



Building with confidence.



MERLO S.p.A. Via Nazionale, 9 - 12010 - S. Defendente di Cervasca - Cuneo - Italia
Tel. +39 0171 614111 - Fax +39 0171 684101 - www.merlo.com - info@merlo.com

COMPANY
WITH QUALITY MANAGEMENT
SYSTEM CERTIFIED BY DNV
=ISO 9001:2008=